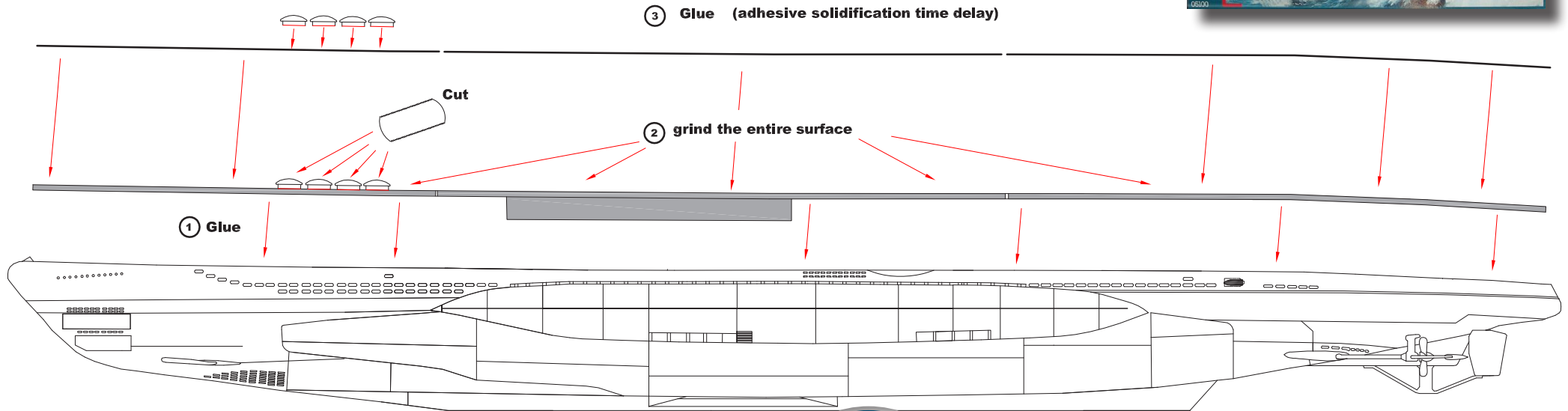
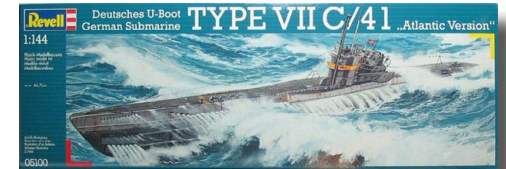
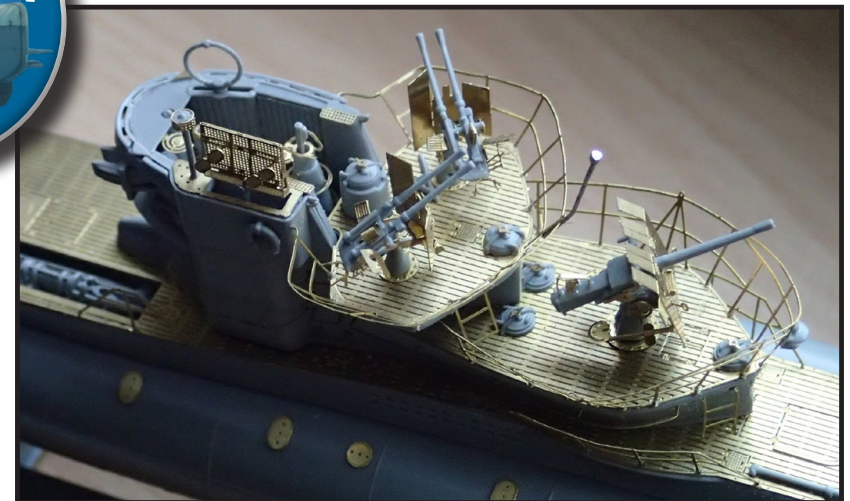
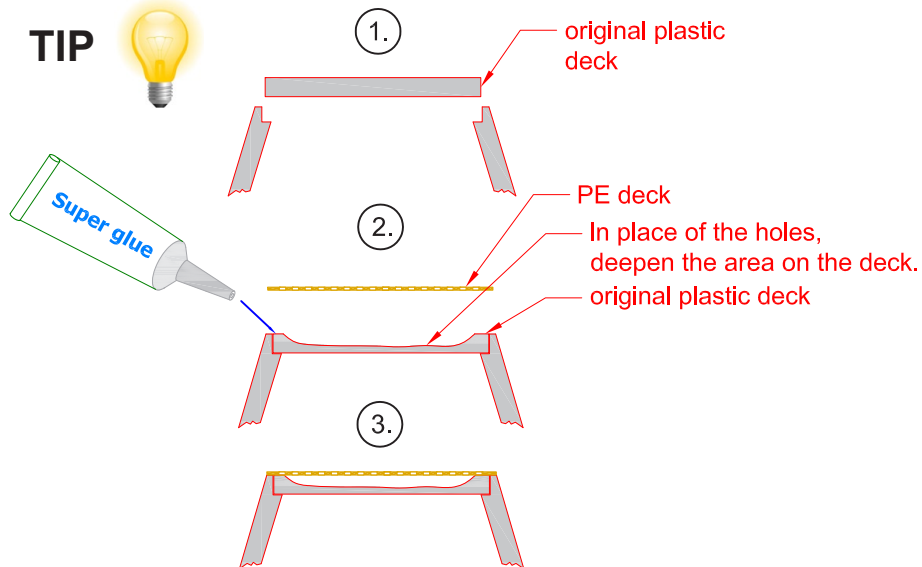


Instructions Photo Etched Deck for Revell type: VIIC41 1/144

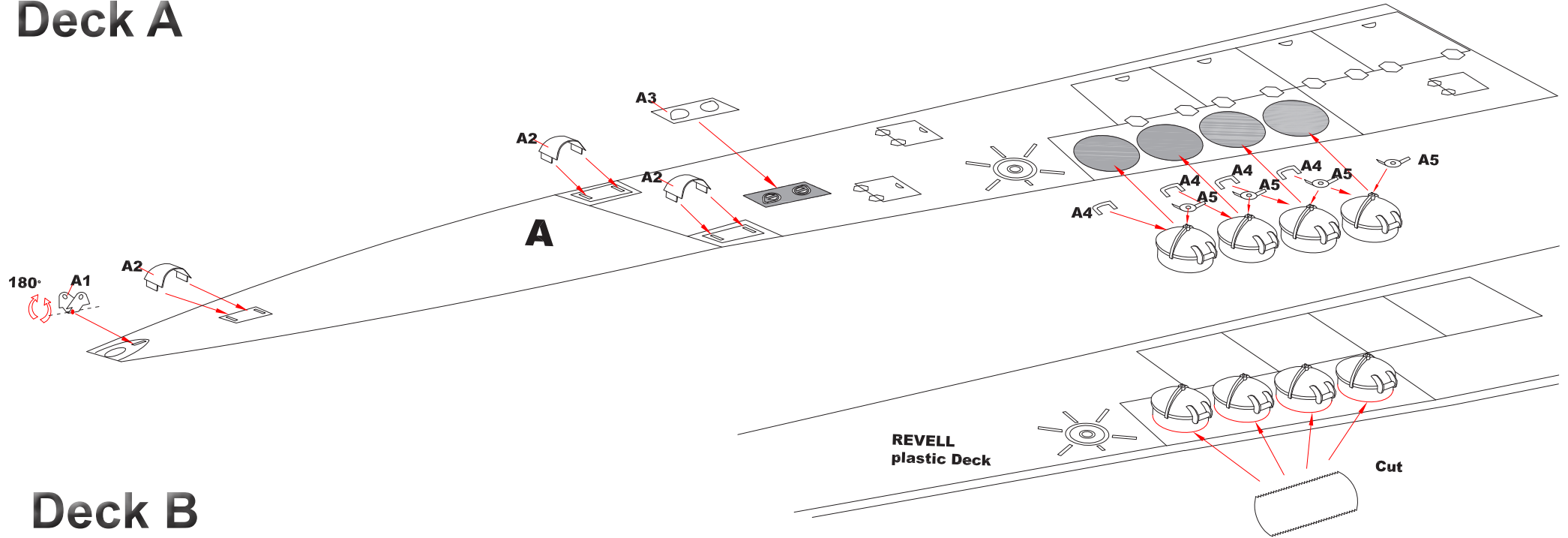
Reinforcement of the deck



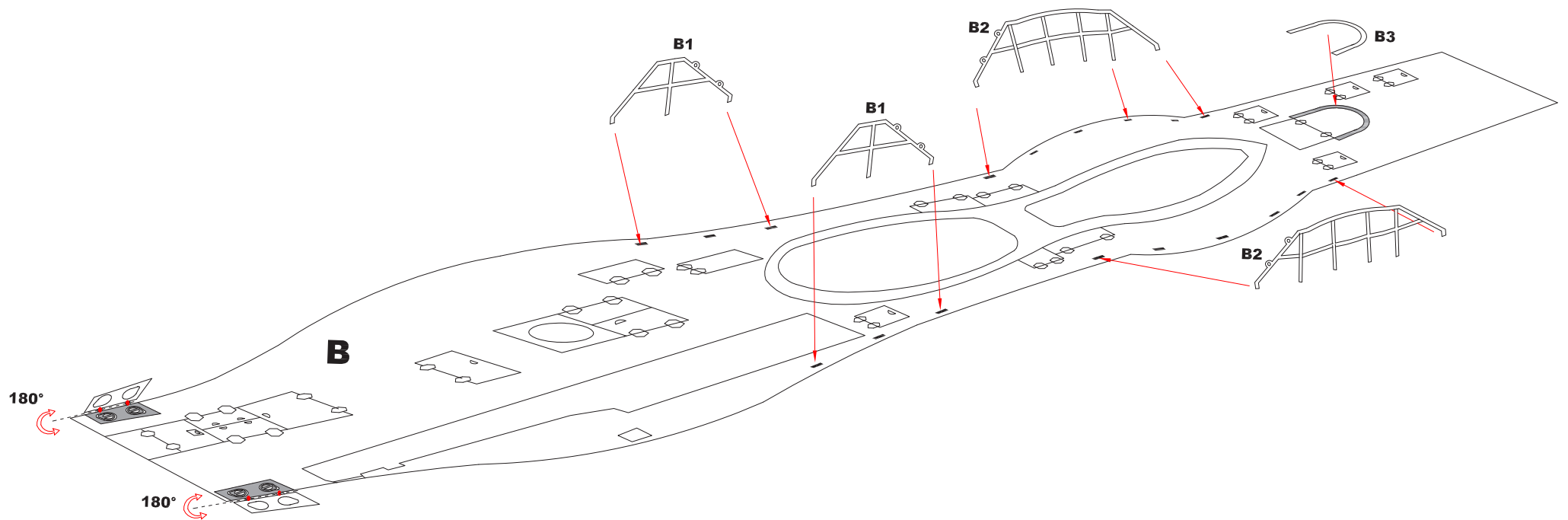
TIP



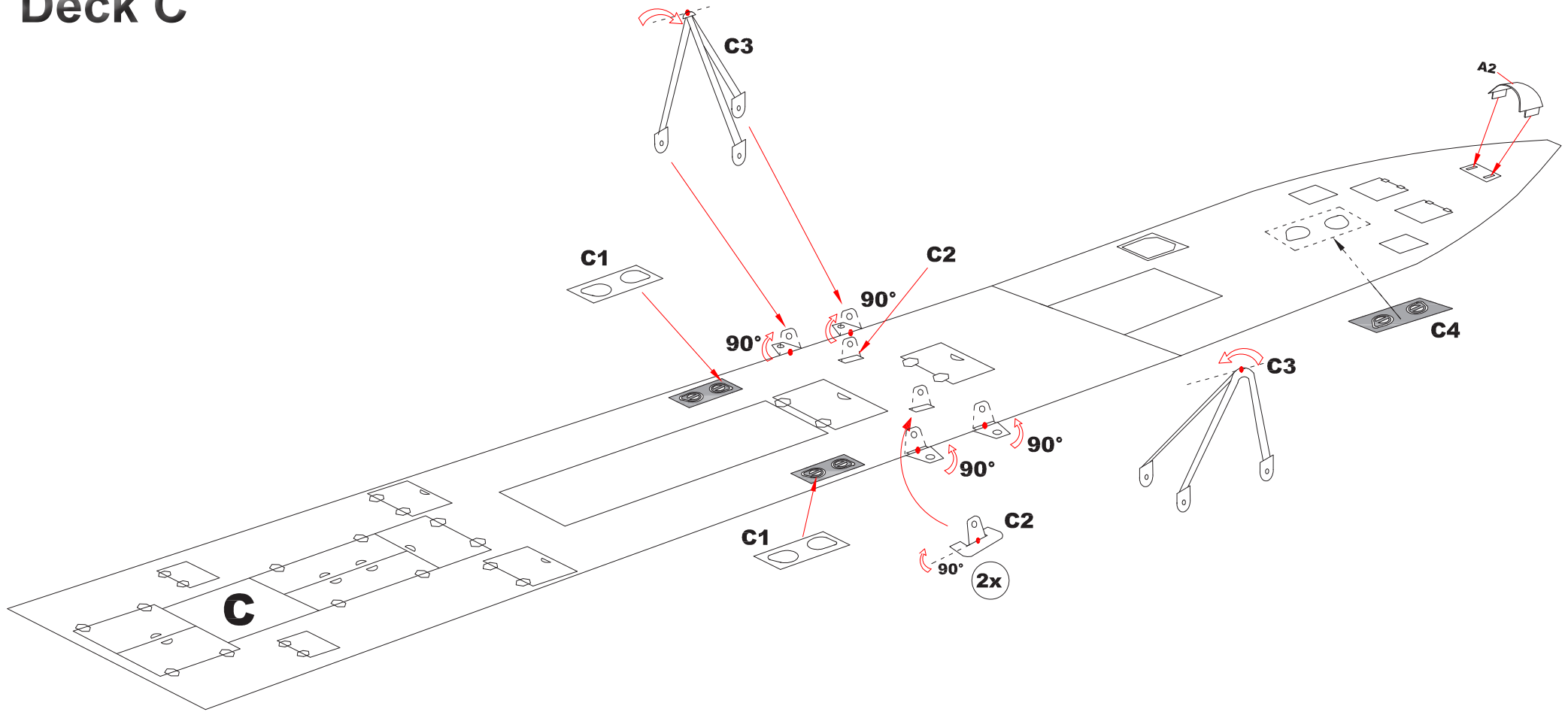
Deck A



Deck B



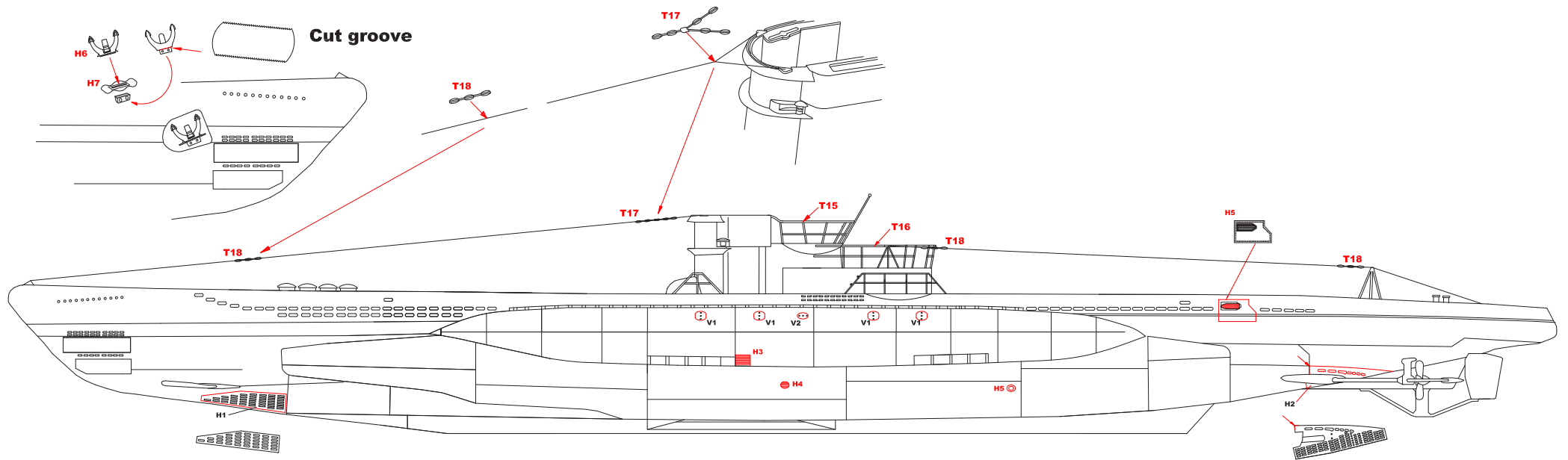
Deck C



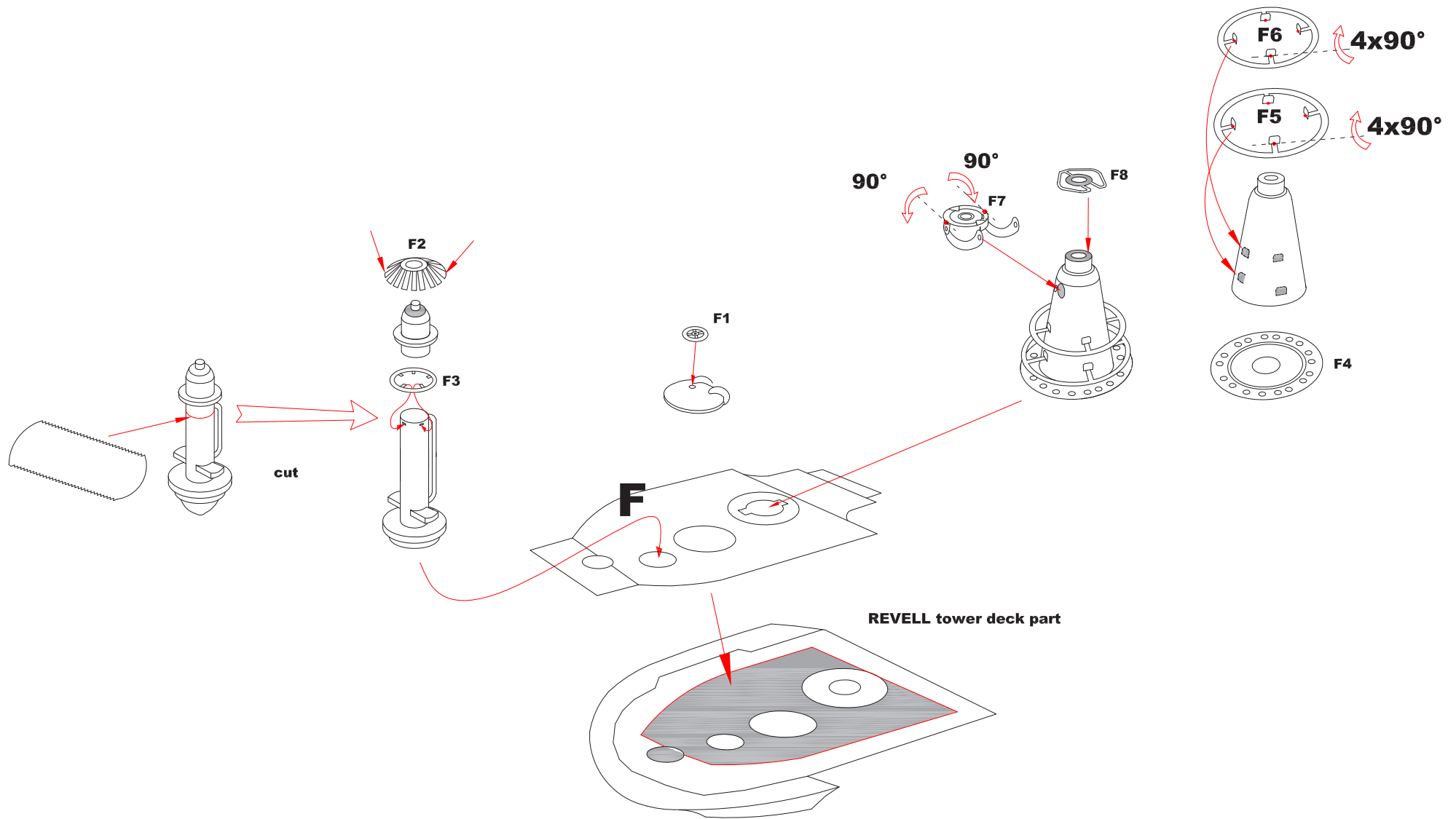
Hull

REVELL
plastic part

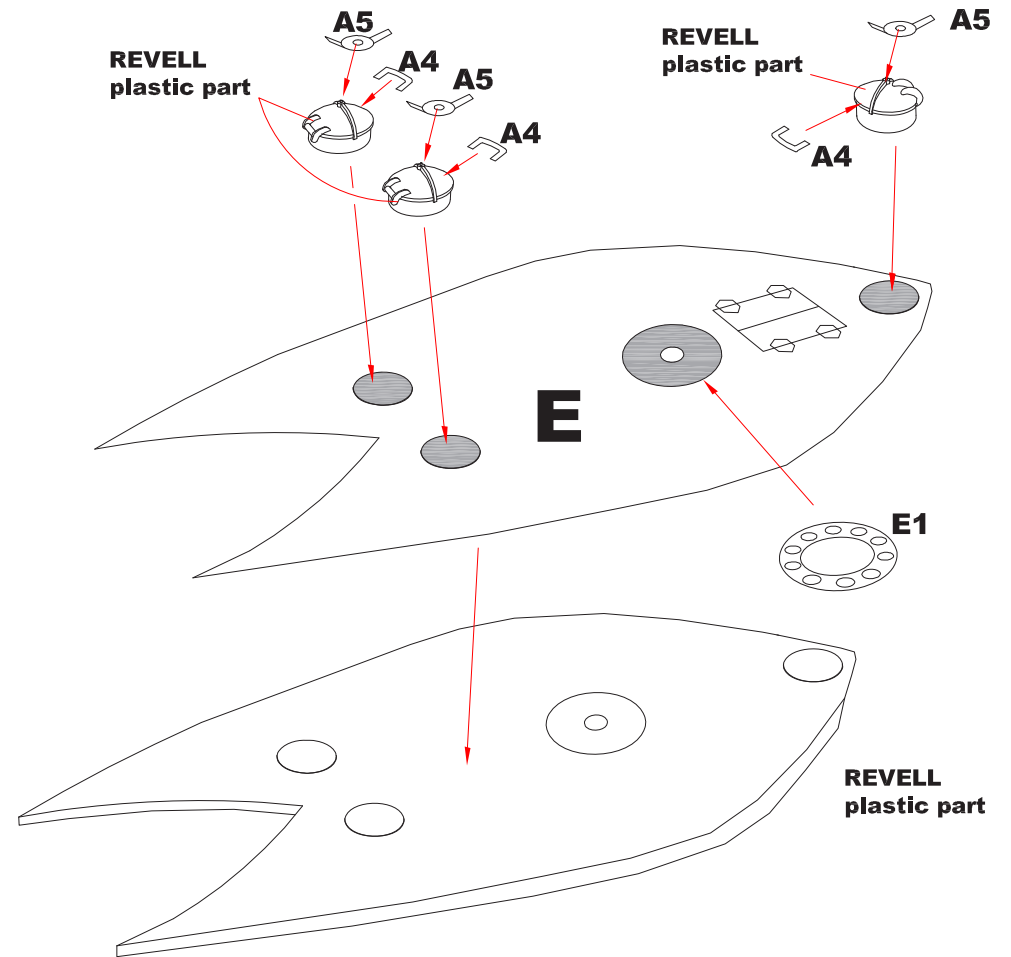
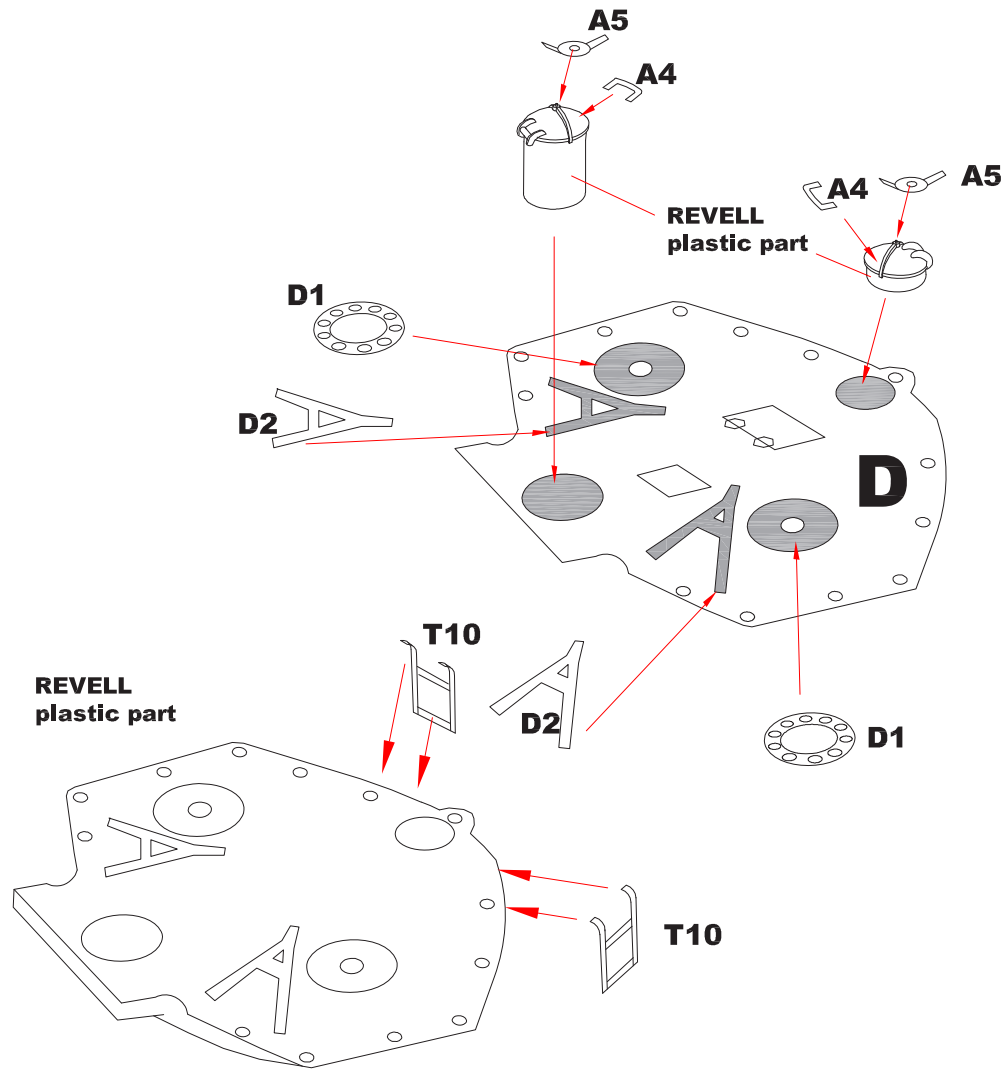
Cut groove



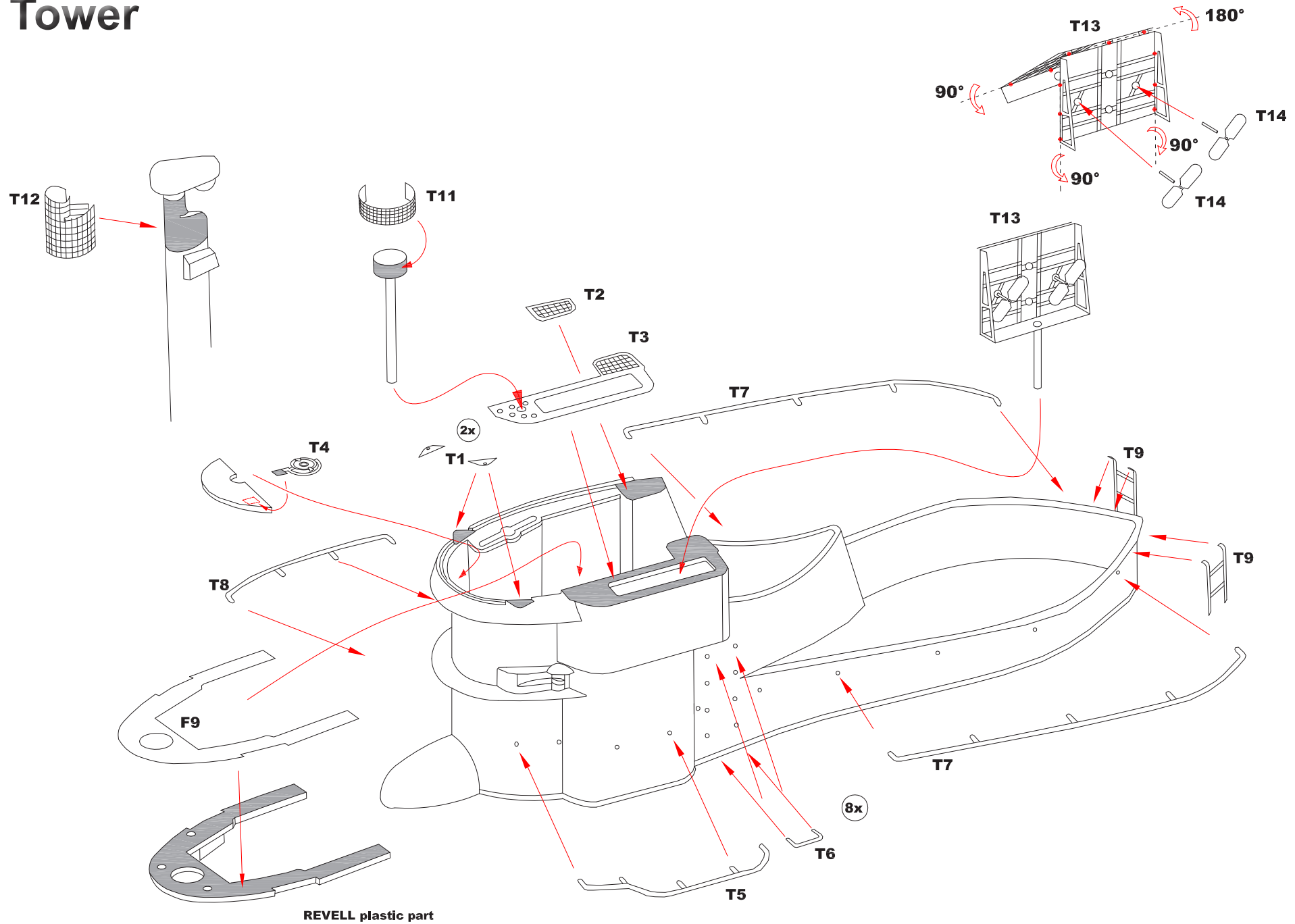
Tower



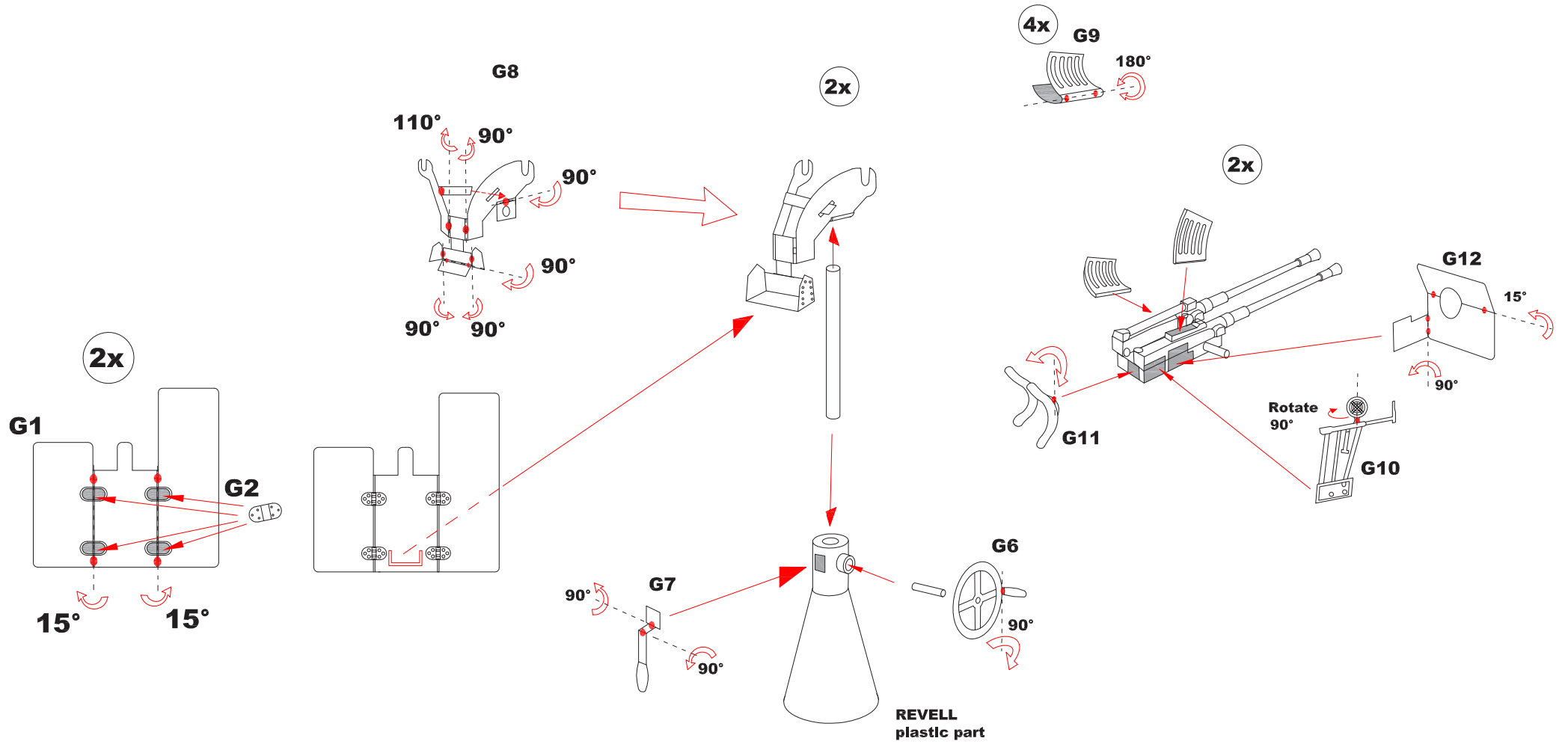
Tower



Tower



Gun 2x20 mm



Gun 37 mm

